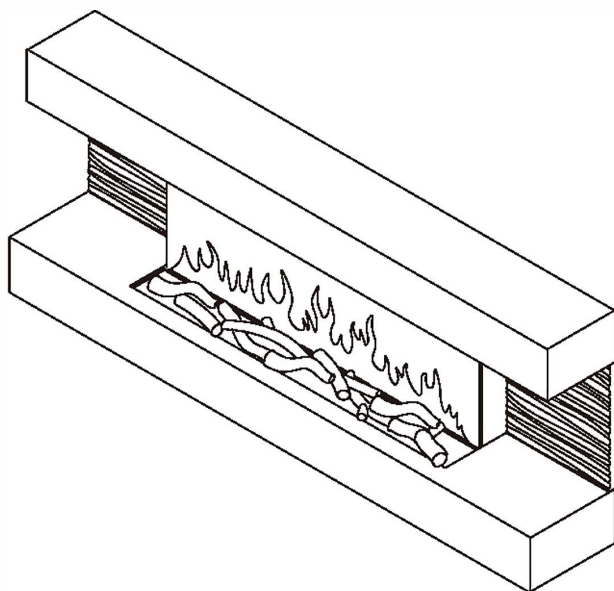


FIREPLACE MANTEL

ASSEMBLY INSTRUCTIONS

MT197D / MT197E



If you have a problem with this product, DO NOT RETURN.

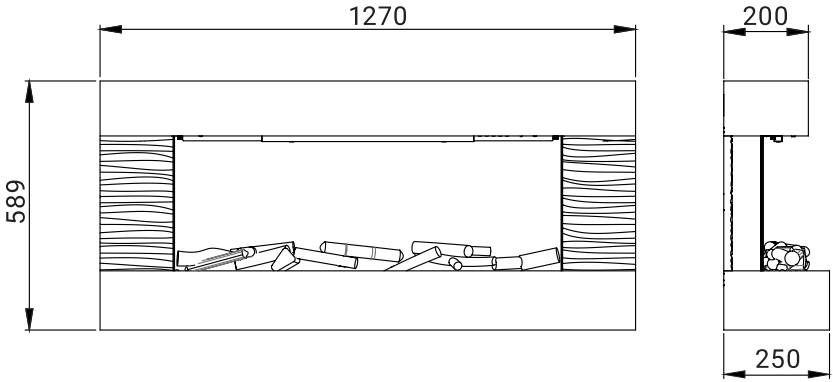
Call our customer service , Tel: , or

E-mail:

APPLIANCE DIMENSIONS

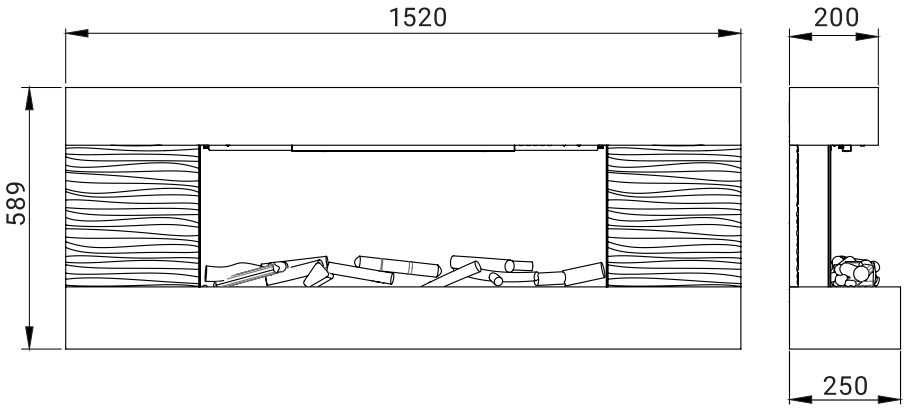
MT197D

UNIT : mm

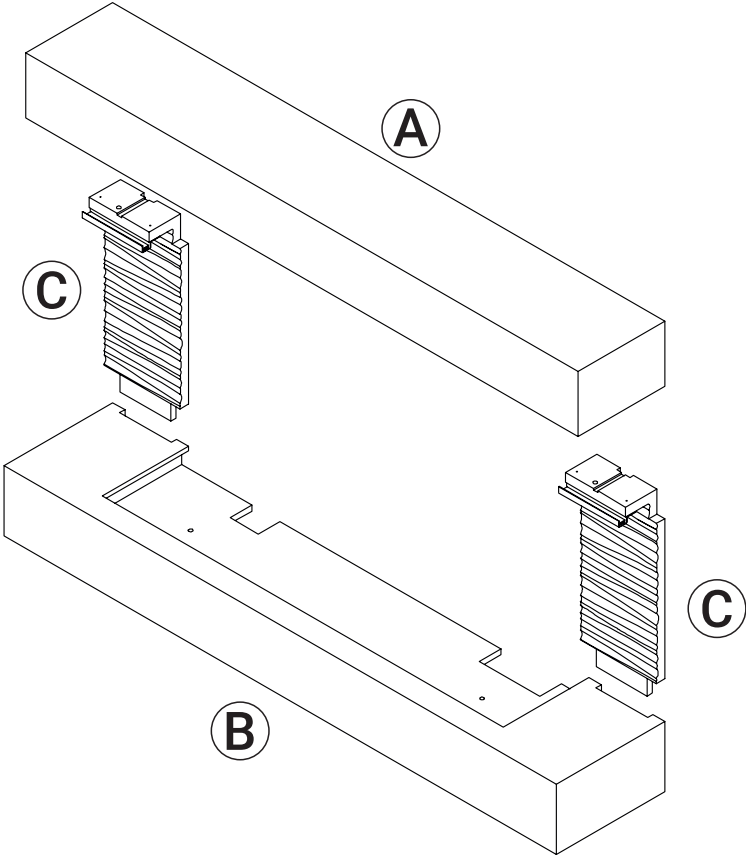


MT197E

UNIT : mm



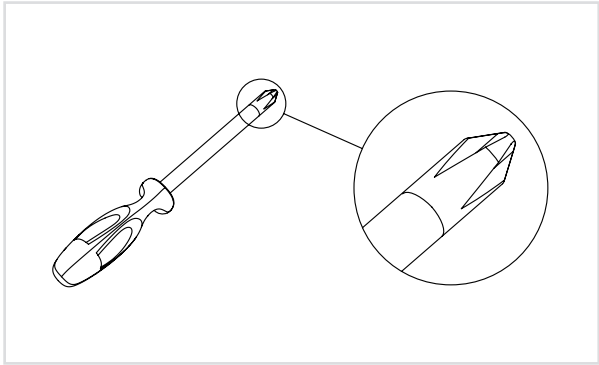
PARTS LIST

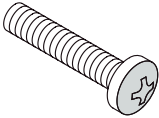
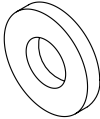
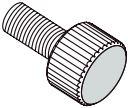
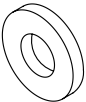


PARTS AND ACCESSORIES

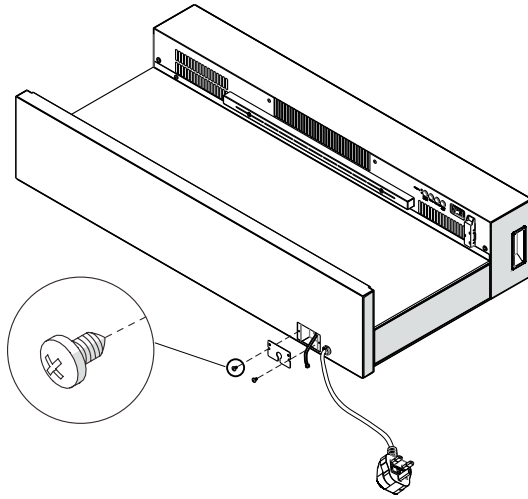
Tools required:

A screwdriver will be needed.



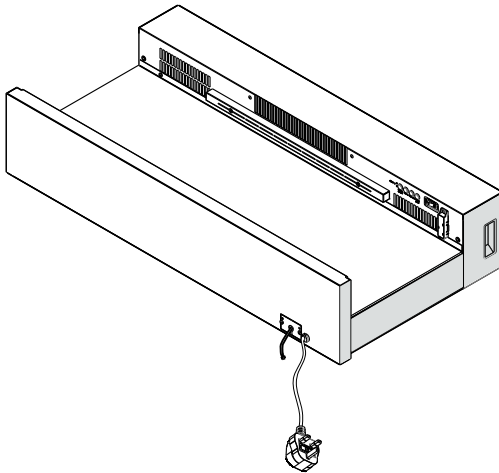
 4x	 4x	 2x
M5x35mm	ø 6,4 x ø 18 x 1,6 mm	M5x12mm
 2x		
ø 4,2 x ø 12 x 2 mm		

01



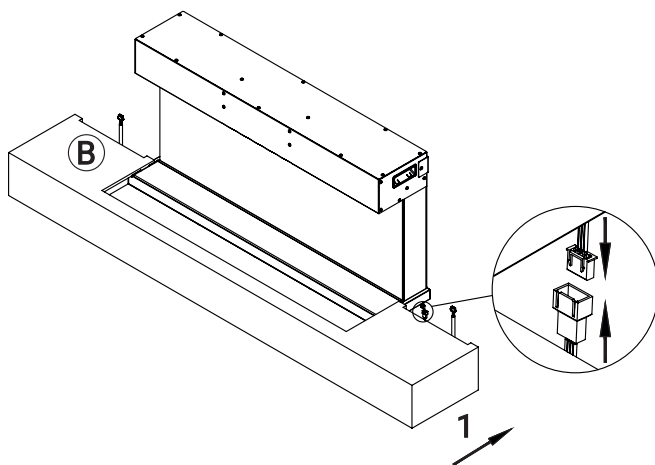
Place the fireplace on a flat surface and remove the two screws as shown. Open the cover on the base plate and remove the plug for mood light.

02

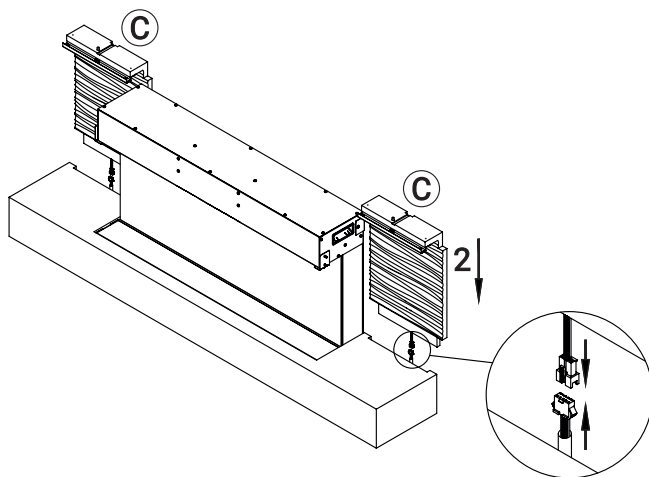


Insert the plug through the hole in the cover and reattach the cover.

03

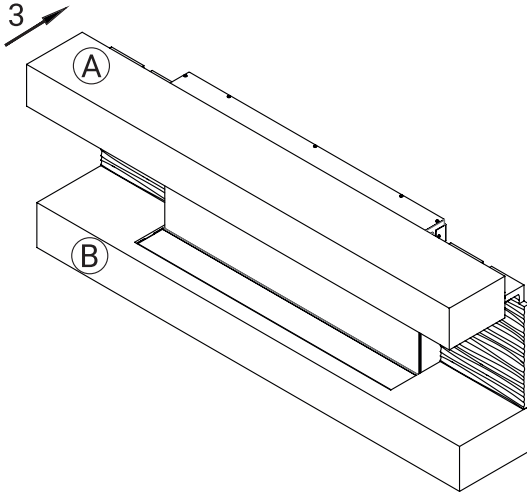


04

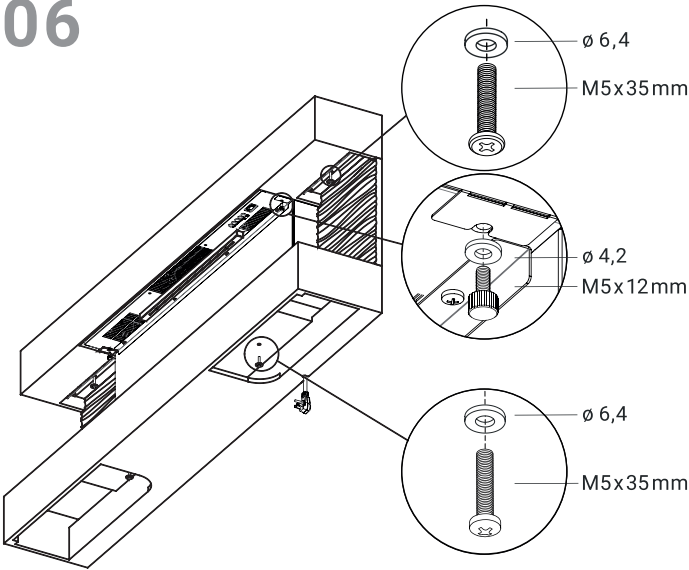


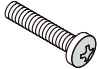
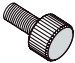


Carry out this assembly step on both sides

05



06



4x	
	M5x35 mm
2x	
	M5x12 mm
4x	
	$\varnothing 6,4 \times \varnothing 18 \times 1,6$ mm
2x	
	$\varnothing 4,2 \times \varnothing 12 \times 2$ mm

Carry out this assembly step on both sides

Distributor:

Tel:

Email: